

# SITE DUMPER



## Specifications

Payload	6610 lbs (3000 kg)
Gross Engine Power	43.2 hp (32.4 kW)
Max Skip Capacity	2.55/2.45 yd <sup>3</sup> (1950/1870 Liters)

## Features

- Large heaped skip capacity.
- "Rental Tough" designs and fabrications to keep you working in the toughest of conditions.
- Thick steel skip base plate with reinforced box sections for high strength and longevity.
- Exceptional service access and ease of maintenance built into every machine.
- High ground clearance, low centre of gravity for superb stability and site accessibility.
- Powerful, reliable and economical engines.
- Power Tip for forwards tip applications. Power Swivel enables effective placement of load to either side - useful for trench filling or small sites.

**WORKS FOR YOU.™**

# SPECIFICATIONS

## Performance

	TA3	TA3h	TA3s	TA3sh
Payload lb (kg)	6610 (3000)		6610 (3000)	
Unladen Weight (kg)	4982 (2260)		5622 (2550)	
Skip Capacity - Water ft <sup>3</sup> (ltr)	1.63 (1250)		1.31 (1000)	
Struck yd (ltr)	2.09 (1600)		1.96 (1500)	
Heaped yd <sup>3</sup> (ltr)	2.55 (1950)		2.45 (1870)	
Engine	Kubota V2203M		Kubota V2203M	
Gross Power hp (kW)	43.2 (32.4)		43.2 (32.4)	
Displacement	134 in <sup>3</sup> (2197 cc)		134 in <sup>3</sup> (2197 cc)	
Maximum Torque	107 lbf - ft (145 Nm)		107 lbf - ft (145 Nm)	
Tire Size	11.5/80 x 15.3 x 8 ply		11.5/80 x 15.3 x 8 ply	
Drive	3/1 Manual - permanent 4WD	2/2 Hydrostatic Drive	3/1 Manual - permanent 4WD	2/2 Hydrostatic Drive
Max Travel Speed - mph (kph)	11.8 (19.0)		11.8 (19.0)	
Gradeability	25 %		25 %	
Fuel Tank Capacity	9.77 gals (37 Liters)		9.77 gals (37 Liters)	
Hydraulic Tank Capacity	9.77 gals (37 Liters)		9.77 gals (37 Liters)	

## Hydraulic System (Gear Pump)

	TA3	TA3h	TA3s	TA3sh
Flow rate	7.93 gpm (30 l/min)		7.93 gpm (30 l/min)	
Operating Pressure	2495 psi (172 bar)		2495 psi (172 bar)	

## Brake System

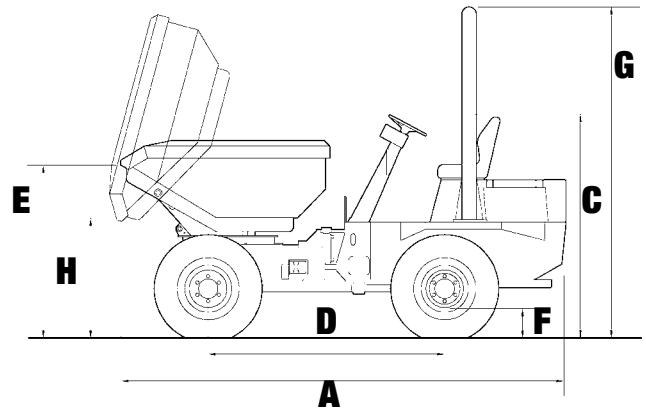
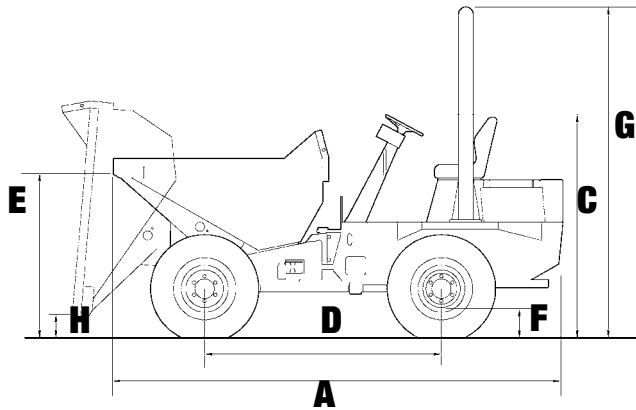
	TA3	TA3h	TA3s	TA3sh
Working Brake	Foot Brake - Oil Immersed Discs on Front		Foot Brake - Oil Immersed Discs on Front	
Parking Brake	Over Center Locking - Oil Immersed Disc Front Axle		Over Center Locking - Oil Immersed Disc Front Axle	

## Electrical System

	TA3	TA3h	TA3s	TA3sh
Voltage	12V		12V	
Battery	74 Ah		74 Ah	
Alternator	55 A		55 A	

# TA3 - TA3h - TA3s - TA3sh

B = Overall Width (not shown)



## Performance

		TA3	TA3h	TA3s	TA3sh
A	Total Length	12.3 ft (3755 mm)		12.6 ft (3850 mm)	
B	Total Width (not shown)	77 in (1950 mm)		73 in (1860 mm)	
C	Height to Top of Steering Wheel	73 in (1860 mm)		73 in (1860 mm)	
D	Wheelbase	77 in (1950 mm)		77 in (1950 mm)	
E	Height to Front Lip of Skip (untipped)	56.3 in (1430 mm)		59.1 in (1500 mm)	
F	Ground Clearance	11.8 in (300 mm)		11.8 in (300 mm)	
G	Height to Top of ROPS (raised)	105.5 in (2680 mm)		105.5 in (2680 mm)	
H	Height to Front Lip of Skip (tipped)	9.8 in (250 mm)		43.3 in (1100 mm)	
	Discharge Height	+/- 30°		+/- 30°	
	Turning Radius to Outside of Skip	14.3 ft (435 mm)		15.3 ft (4665 mm)	
	Steering Angle	+/- 36.5°		+/- 36.5°	
	Oscillation	+/- 10.5°		+/- 10.5°	
	Tipping Type	Forward Tip		Swing Tip	

## Standard Equipment

Folding ROPS Frame	Reversing Alarm
Flashing Beacon	Towing Bracket

## Optional Equipment

Road Lights (RTA)	Rear View Mirror
Site Lights	Grasslands Tires

**WORKS FOR YOU.™**

**terex.com**

Effective Date: August 2010. Product specifications and prices are subject to change without notice or obligation. The photographs and/or drawings in this document are for illustrative purposes only. Refer to the appropriate Operator's Manual for instructions on the proper use of this equipment. Failure to follow the appropriate Operator's Manual when using our equipment or to otherwise act irresponsibly may result in serious injury or death. The only warranty applicable to our equipment is the standard written warranty applicable to the particular product and sale and Terex makes no other warranty, express or implied. Products and services listed may be trademarks, service marks, or trade names of Terex Corporation and/or its subsidiaries in the USA and other countries. All rights are reserved. Terex is a registered trademark of Terex Corporation in the USA and many other countries. © 2010 Terex Corporation.

8800 Rostin Road, Southaven, MS 38671 USA  
1.888.90.TEREX (83739)



**WORKS FOR YOU.™**  
TA3/TA3h/TA3s/TA3sh 0810 PN 127806