

For more information on XCMG products, dealer services, and industry solutions, visit us on the web at www.xcmg.com

1st Jan 2014 XCMG
All Rights Reserved

Materials and specifications are subject to change without notice. Featured machines in photos may include additional equipment. See your XCMG dealer for available options.

XCMG, WWW.XCMG.COM, their respective logos, "XCMG For Your Success", as well as corporate and product identity used herein, are trademarks of XCMG and may not be used without permission.



XUZHOU CONSTRUCTION MACHINERY GROUP IMP. & EXP. CO., LTD



XCMG Headquarters, Xuzhou Economic Development Zone,
Jiangsu, China 221004



(+86-516) 87739230



XCMG Regional Departments:

West Asia & North Africa	(+86-516) 87739251	87739202	87739223
Asia-Pacific	(+86-516) 87739500	87739529	87739233
Central Asia	(+86-516) 87739218	87739239	87739510
North America	(+86-516) 87739285	87739551	87739713
South America	(+86-516) 87739196	87739714	87739187
Africa	(+86-516) 87739501	87739222	87739709
Europe	(+86-516) 87739238	87739271	87739228



export@xcmg.com



WWW.XCMG.COM

XCMG For Your Success

XD122E	
Operating Weight (Kg)	12000
Rolling Width (mm)	2130
Static Linear Load (N/cm)	282/282
Engine Model	DEUTZ BF4M2012C
Engine Rated Output (Kw/r/min)	98/2300

XD112E/122E/132E

DOUBLE DRUM VIBRATORY ROLLER

Performance Characteristics

Fashionable design

The vehicle comes with a fashionable rain cover with air-conditioning as an option.



Comfortable operation

An imported seat is used which can be adjusted freely by the operator. The control panel can be rotated to the left and right.

A three-level damping system is used to effectively eliminate vibration inside the cab.

The air-conditioning option will provide an even more comfortable environment.



Wide field of vision

The vehicle offers 1m x 1m front and back views.

Operators will be able to clearly see the surface of the roller, the edges and around the cab.



Powerful performance

Dual frequency and dual amplitude systems are used which can cater to different compaction thickness.

The vibration distribution function ensures that the paving layer is compacted evenly and without gaps.

Front and rear lights are located on the rain cover to provide lighting for night operation.

- ① Low frequency, high altitude for thin asphalt layer
- ② High frequency, low altitude for thin asphalt layer



Sprinkling circuit Frist-level filtering Second-level filtering Third-level filtering

Easy maintenance

The engine hood can be opened from the sides and the parts are placed with low centre of gravity to facilitate repair and maintenance.

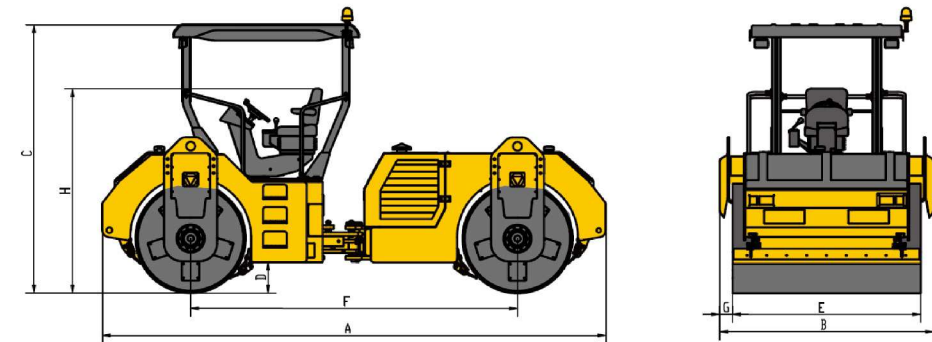


Excellent configuration

The engine, hydraulic pump, motor, sprinkler pump and vibration bearings all come from renowned international manufacturers.



Overall Dimensions (mm)



Model	A	B	C	D	E	F	G	H
XD112E	5700	2190	3060	340	1900	3700	145	2335
XD122E	5700	2420	3060	340	2130	3700	145	2335
XD132E	5700	2420	3060	340	2130	3700	145	2335

Main Technical Parameters

Item	XD112E	XD122E	XD132E	Unit	
Weights	Operating weight (including cab)	11300	12000	13000	kg
	load on front drum	5650	6000	6500	kg
	Load on rear drum	5650	6000	6500	kg
Driving Characteristics	Travel speed	0-10	0-10	0-10	km/h
	Theoretical Gradeability	30	30	30	%
	Minimum turning radius (Inner/Outer)	4050/5950	4770/6900	4770/6900	mm
	Crab-walking distance	160	160	160	mm
	Minimum ground clearance	340	340	340	mm
	Steering angle	35	35	35	±°
Compaction Characteristics	Swing angle	8	8	8	±°
	Static linear load (F/R)	298/298	282/282	305/305	N/cm
	Vibration frequency	45/48	45/48	45/48	Hz
	Nominal amplitude	0.8/0.41	0.8/0.41	0.75/0.41	mm
	Exiting force (HF)	133/80	140/85	150/95	kN
	Compaction width	1900	2130	2130	mm
Engine	Drum diameter	1250	1250	1250	mm
	Engine Model and manufacturer	DEUTZ BF4M2012C	DEUTZ BF4M2012C	DEUTZ BF4M2012C	
	Rated rotating speed	2300	2300	2300	r/min
	Rated power	98	98	98	kW
Dimensions	Rated oil wear	222	222	222	g.kW/h
	Overall dimensions	5700×2190×3060	5700×2420×3060	5700×2420×3060	mm
Service Refill Capacities	Wheelbase	3700	3700	3700	mm
	Water tank capacity	2×450	2×450	2×450	L
	Fuel tank capacity	210	210	210	L