



A New
Dimension Beyond
Your Expectations
vatech A9TM

vatech

THE ADVANCED IMAGING SOLUTION FOR ACCURATE DENTAL DIAGNOSIS

The Vatech A9 provides the most precise and high quality panoramic images by combining image processing and accumulated experience in dental imaging from Vatech. This will increase your diagnostic accuracy for improved treatment planning and patient satisfaction.



INTEGRAL FOV FOR 3D IMAGE

8X8 images enable fundamental diagnoses and treatment planning, including both the maxillary and mandibular areas, in a single scan. It is useful for complex implant surgeries and left/right TMJ diagnoses.



3D Imaging System
vatech A9



GREAT CLINICAL CARE WITH RAPID CEPH TECHNOLOGY



1.9
sec

MINIMIZE MOTION ARTIFACTS WITH RAPID CEPH TECHNOLOGY

The next step in cephalometric technology, Vatech's new Rapid Ceph minimizes motion artifacts and enables faster diagnostic workflow while providing the highest quality digital images.

*Stool is sold separately

3D Imaging System

vatech A9

PRODUCT CONFIGURATION

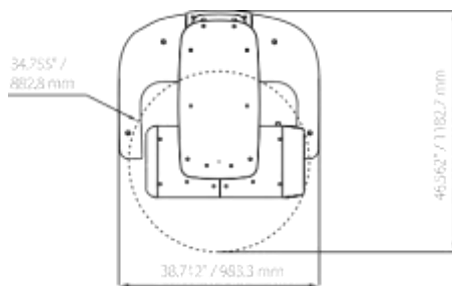
| | CBCT | PANO | CEPH |
|--------------|------|------|------|
| Vatech A9 | • | • | - |
| Vatech A9 HC | • | • | • |

SPECIFICATIONS (vatech A9 : PHT-30CSS)

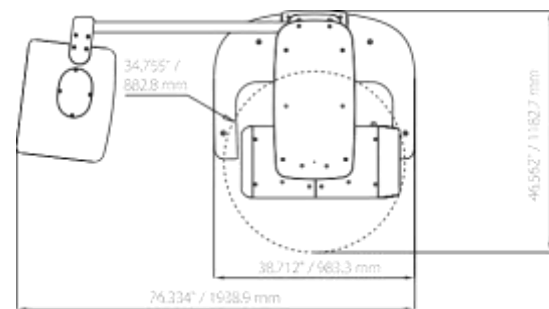
| | | |
|-----------------|-------------------|---|
| Function | | CT + Pano + CepH |
| Focal Spot | | 0.5 mm (IEC 60336) |
| C.I.T.G.V. Size | | 8x8 cm (Anatomical 9,3x8 cm) |
| Voxel Size | | 0.2 mm / 0.2 mm |
| Scan Time | CT | 18 sec |
| | Pano | 1' .3 sec / 1' .4' sec |
| Gray Scale | | 14 bit |
| Tube Voltage | | 60 - 99 kV |
| Current | | 4 ~ 10 mA |
| Weight | Without cepH unit | 138,3 kg / 238,76 lbs. (Without Base) 150,5 kg / 353,84 lbs. (With Base) |
| | With cepH unit | 154,3 kg / 296,08 lbs. (Without Base) 186,5 kg / 411,16 lbs. (With Base) |

DIMENSIONS (Unit: inch/mm)

*The specifications are subject to change without prior notice.



Top View



Front View

