

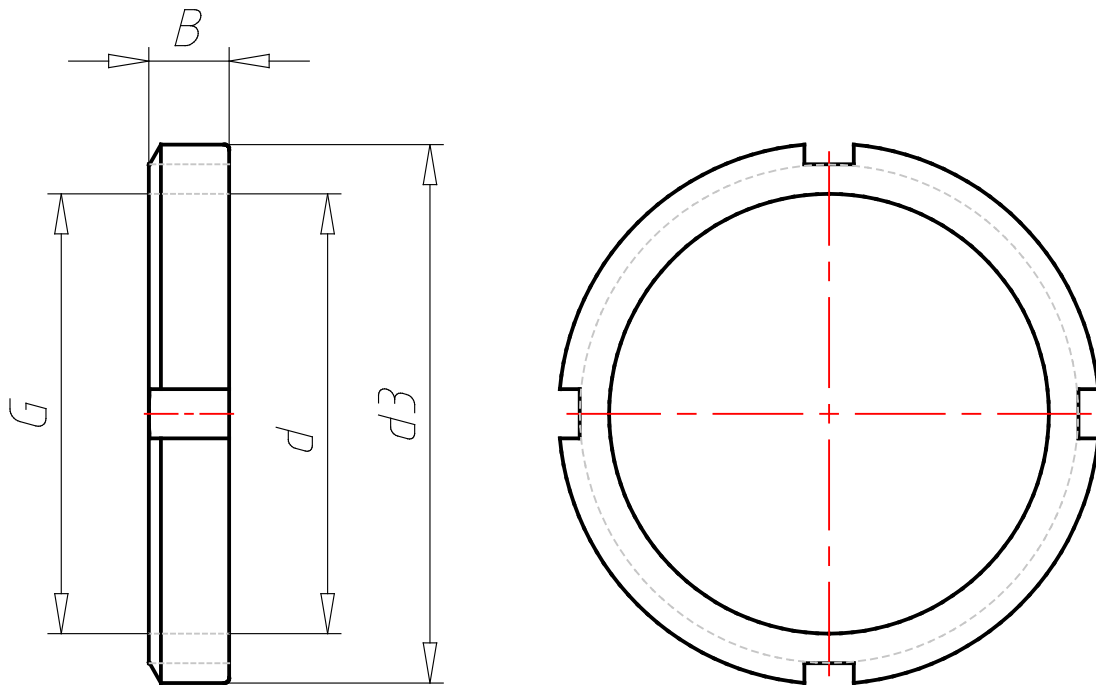
KM 38

KM(L) and HM .. T lock nuts

3D View

Interactive 3D graphic, click to activate and rotate

Technical drawings



Technical Data

Lock nut designation	KM 38
G - Thread designation	M 190x3 (mm)
d - Thread size	190 (mm)
d3 - Outside diameter	240 (mm)
B - Width	28 (mm)
Lock washer / Locking clip	MB 38
	Yes
	695
	MB 38