

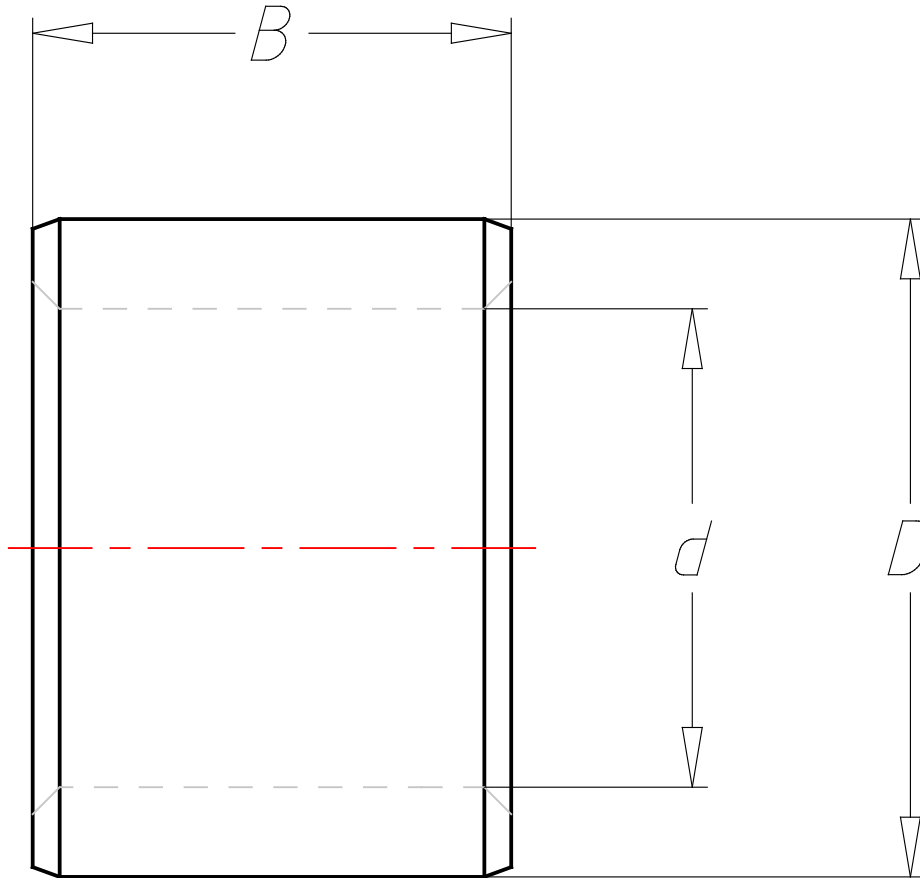
PCM 606530 E

Bushings

3D View

Interactive 3D graphic, click to activate and rotate

Technical drawings



Technical Data

Designation	PCM 606530 E
	Straight
d - Bore diameter	60 (mm)
D - Outside diameter	65 (mm)
B - Width	30 (mm)
D1 - Outside diameter flange	(mm)
C - Basic dynamic load rating - radial direction	140 (kN)
C0 - Basic static load rating - radial direction	440 (kN)
Ca - Basic dynamic load rating - axial direction	(kN)
C0a - Basic static load rating - axial direction	(kN)
	Straight